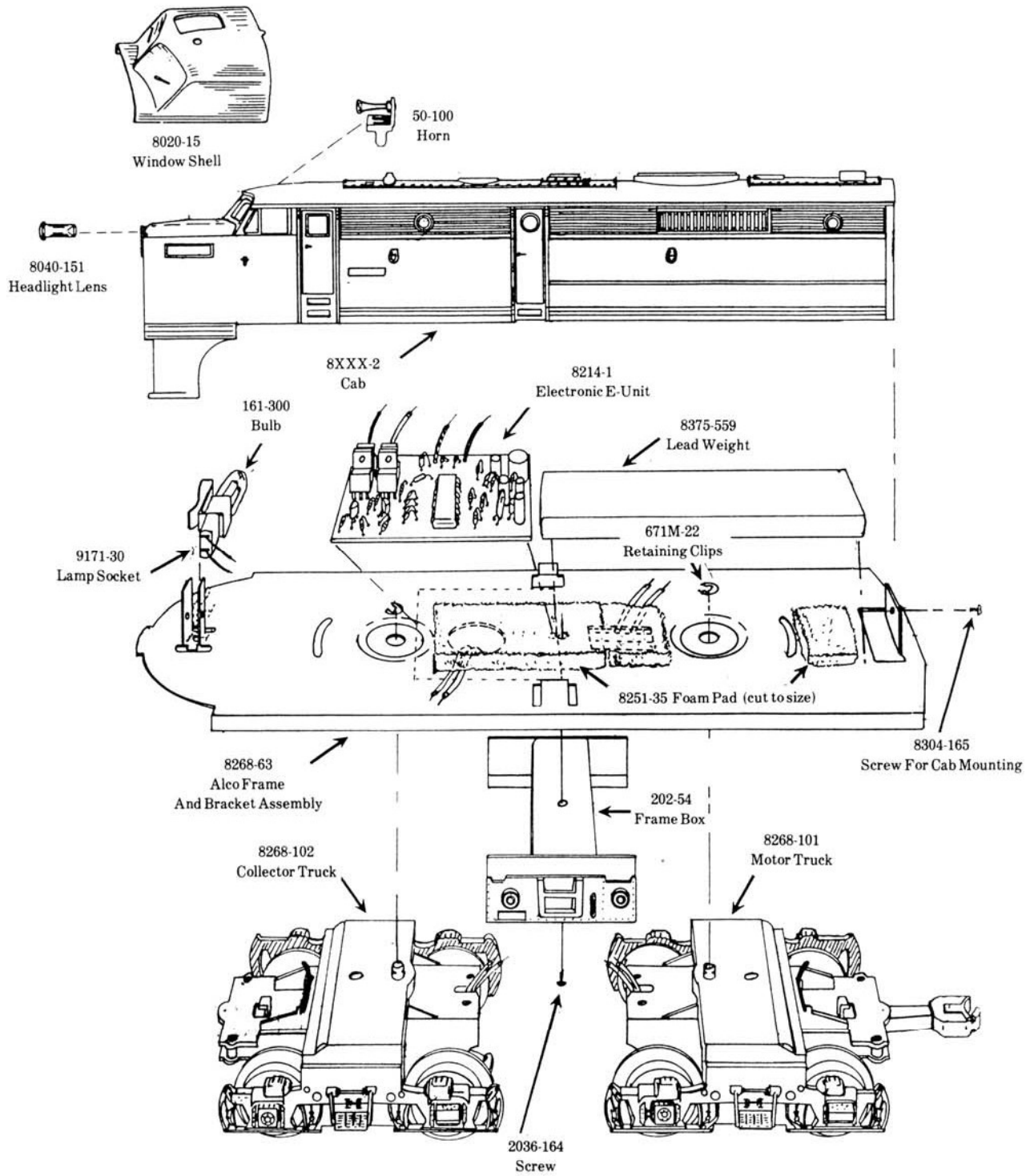
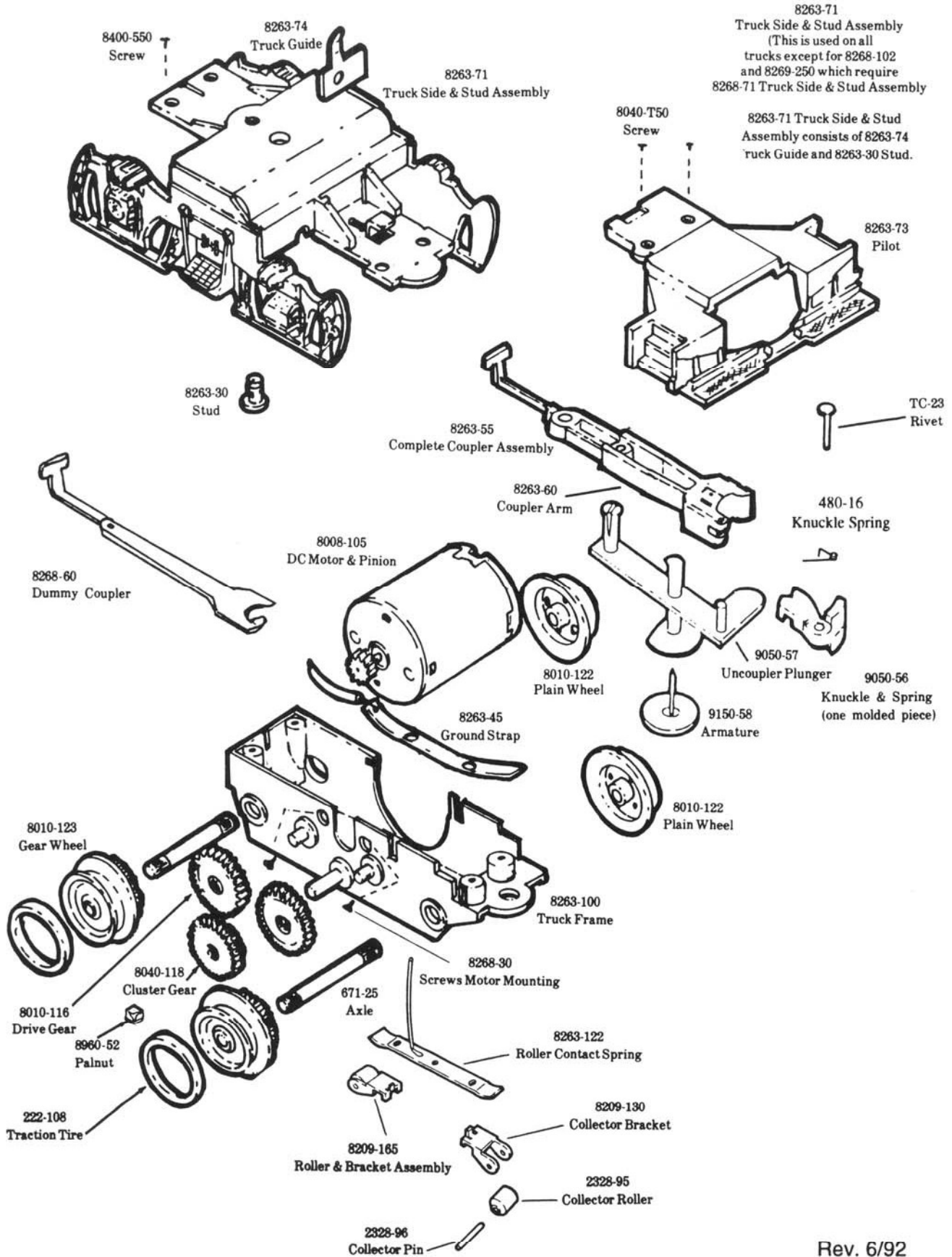


Alco Diesel Locomotive With DC Motor And Electronic E-Unit



Traditional Series: GP 7-9-20 and FA-Alco Motor & Collector Trucks with DC Motor



Rev. 6/92

GP7-9-20 and FA ALCO MOTOR & COLLECTOR TRUCKS

SECTION MOTORS/TRUCKS

DATE 4/86

Reference
Drawing

REF. NO.	PART NUMBER	QUANTITY PER UNIT	DESCRIPTION
1	222-108	2	Traction tire all motor trucks
2	8263-151	1	Motor truck & wheel assembly 8263-101 & 8268-101
3	8263-100	1	Truck frame all trucks
4	671-25	2	Axle all trucks
5	8010-116	2	Drive gear all motor trucks
6	8010-122	2	Plain wheel all trucks
7	8010-123	2	Gear wheel - under cut all motor trucks
8	8040-118	1	Cluster gear all motor trucks
9	8008-105	1	DC motor with pinion all motor trucks
10		2	Screw (flat head motor mtg all motor trucks
11	8263-71	1	Truck side & stud assembly 8263-101 8263-250 8369-101 8268-101 8269-251
12	8263-73	1	Pilot - all Geeps & SW1 Switcher motor & collector truck
13	8263-55	1	Coupler assembly 8263-101 8369-101 8263-250 8269-250
14	9050-57	1	Plunger 8263-55 coupler - all trucks with operating coupler
15	9150-58	1	Armature 9050-57 plunger - all trucks with operating coupler
16		2	Washer 8263-101 & 8263-250
17	8960-52	1	Palnut all motor trucks
18	8400-550	3	Screw 8268-101 8269-250 8268-102 8269-251 all locations mtg truck side & stud as also Geep & SW1 mounting truck side & stud assembly back or rear screw position
19	8040-T50	2	Screw - truck side & stud mtg for all Geeps & SW1's frt position
20	8369-151	1	Motor truck & wheel assembly - dual motor Geeps
21	8209-165	2	Roller & bracket - motor trucks
22	8500-30	2	Contact shoe - collector trucks
23	8263-45	1	Ground strap assembly - all trucks where applied
24	8263-122	1	Contact spring - all trucks where applied
25	8263-152	1	Collector truck & wheel assembly 8263-250 8268-102
26	8269-252	1	Plain truck & wheel assembly 8269-250 & 251
27	8350-12	2	Gear wheels - all dummy & collector trucks
28	8268-71	1	Truck side & cover assembly 8268-102 8269-250
29	8268-60	1	Dummy coupler 8268-101 8269-251