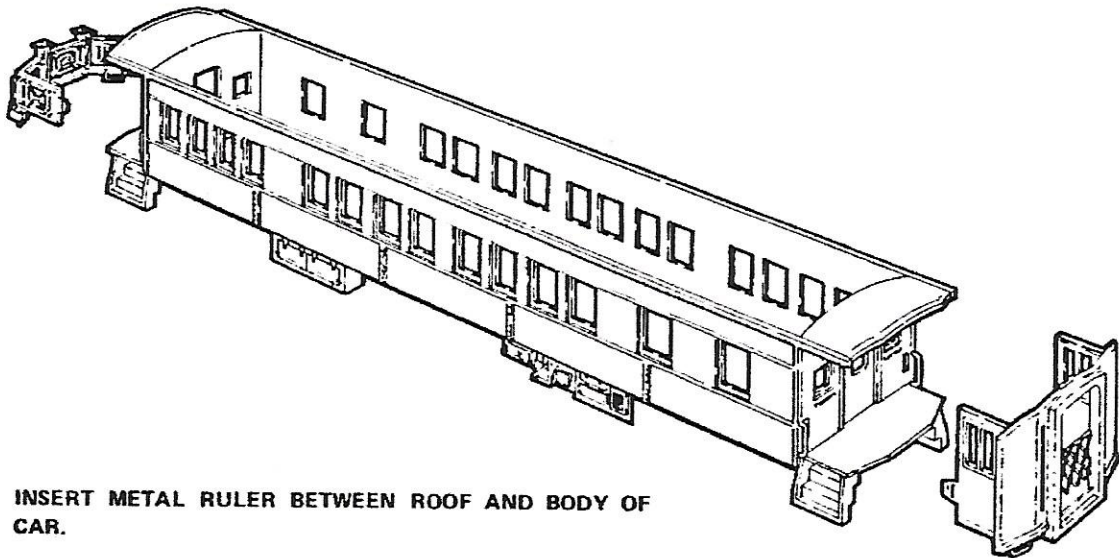
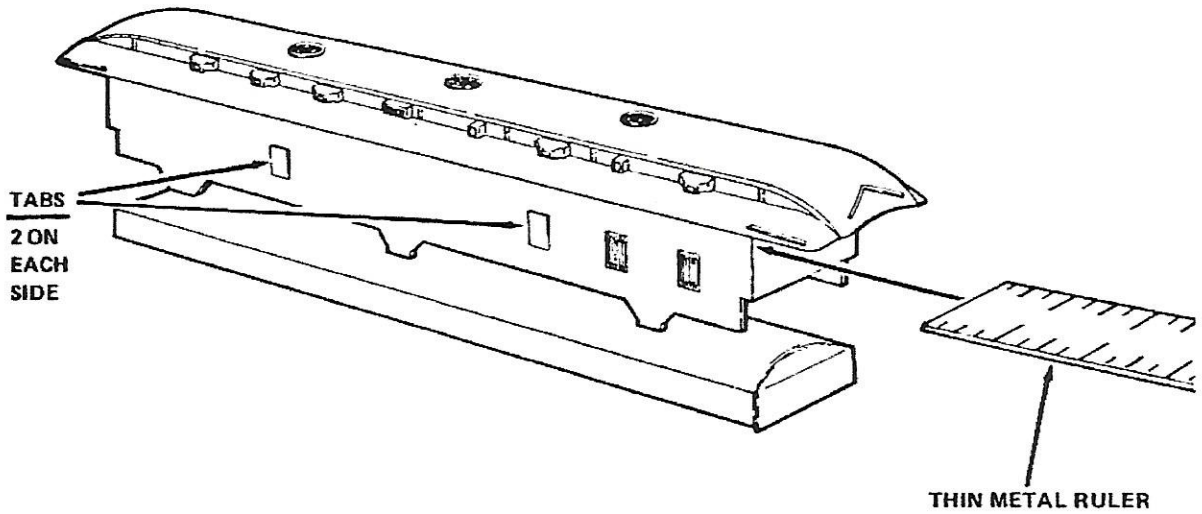


# PASSENGER, OBSERVATION, COMBINE CARS

## ROOF REMOVAL



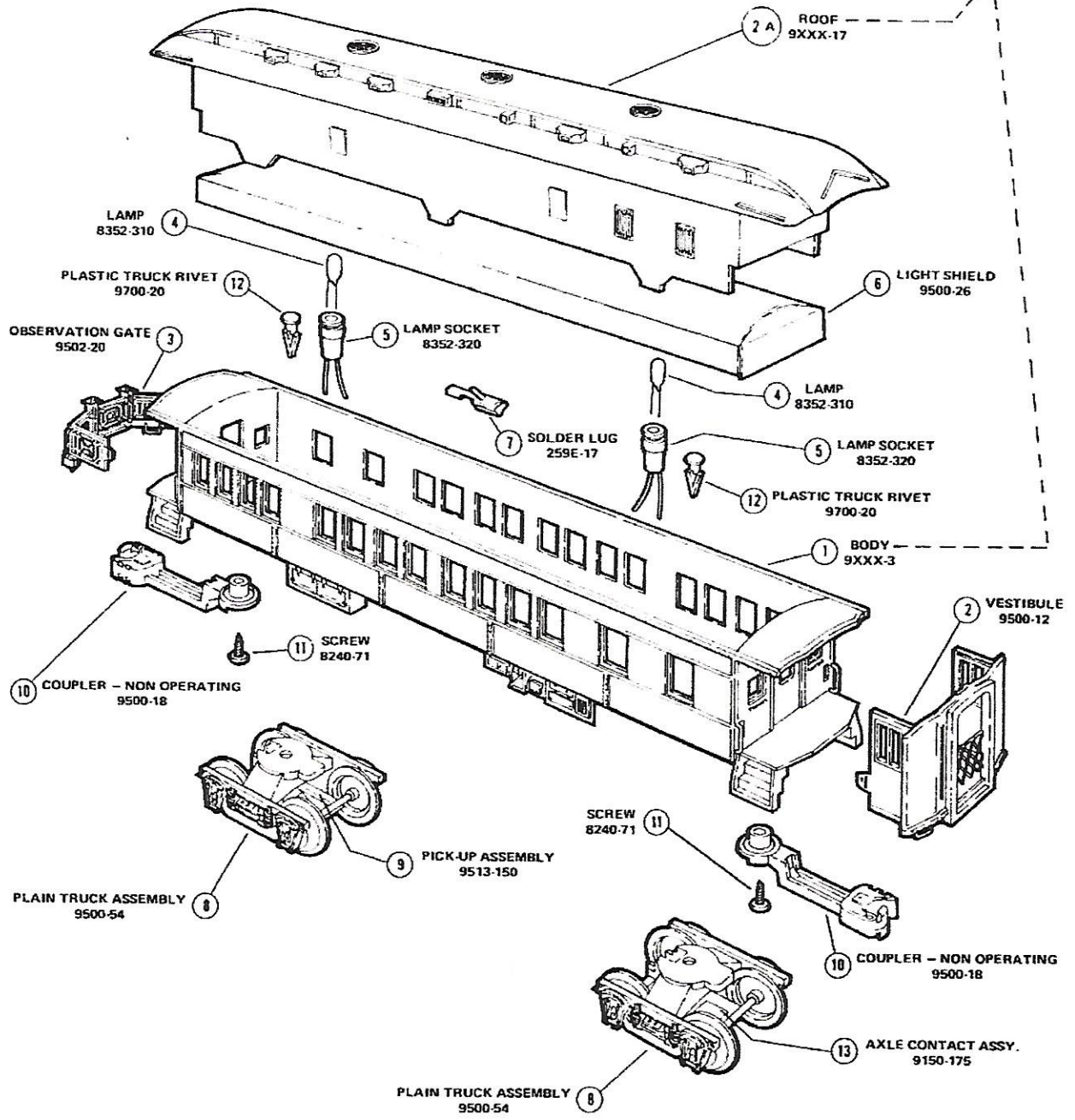
1. INSERT METAL RULER BETWEEN ROOF AND BODY OF CAR.
2. GENTLY PRY UPWARD, WORKING ROOF AWAY FROM CAR BODY AT ALL FOUR CORNERS, WHILE AT THE SAME TIME, DEPRESSING THE TABS CLOSE TO THE END BEING LIFTED.

LIONEL

9500 Series  
Pass Car

# PASSENGER, OBSERVATION, COMBINE CARS

NOTE:  
USE CAR NUMBER  
WHEN ORDERING  
BODY OR ROOF.



FOR TRUCK BREAKDOWN  
SEE "TRUCKS" SECTION

LIONEL

PASSENGER CAR

SECTION ROLLING STOCK

DATE 5-77

REFERENCE  
DRAWING

ROOF

BODY

CAT. NO.	DESCRIPTION	REF. NO.	PART NUMBER	QUANTITY		REF. NO.	PART NUMBER	QUANTITY	
				PER UNIT				PER UNIT	
9521	Combine Car - Penna.	1	9521-3	1		2	9521-17	1	
9522	Combine Car - Milw.	1	9522-3	1		2	9522-17	1	
9523	Combine Car - B&O	1	9523-3	1		2	9523-17	1	
9524	Margaret Corbin B&O	1	9524-3	1		2	9516-17	1	
9525	Emerald Brook B&O	1	9525-3	1		2	9516-17	1	

COMMON COMPONENTS

REF. NO.	PART NUMBER	QUANTITY PER UNIT	DESCRIPTION
2	9516-14	2	Vestibule (Combine Car)
4	8352-310	2	Lamp
5	8352-320	2	Lamp Socket
6	9500-26	1	Light Shield
7	259E-17	1	Solder Lug
8	9500-54	2	Plain Truck
9	9513-150	1	Pick Up Assembly
10	9500-18	2	Coupler
11	8240-71	2	Screw (Coupler Mtg)
12	9700-20	2	Plastic Truck Rivet
13	9150-175	1	Axle Contact Assembly