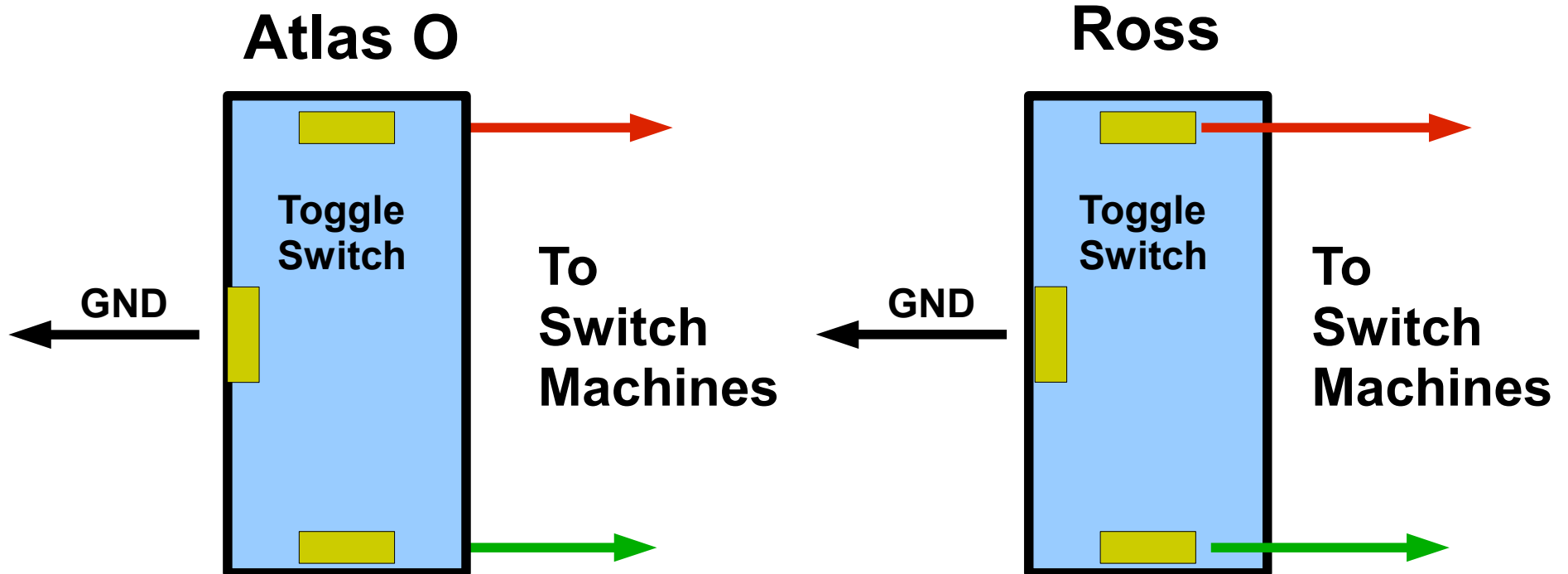


# Ross 4-Way Wiring for Power / Control

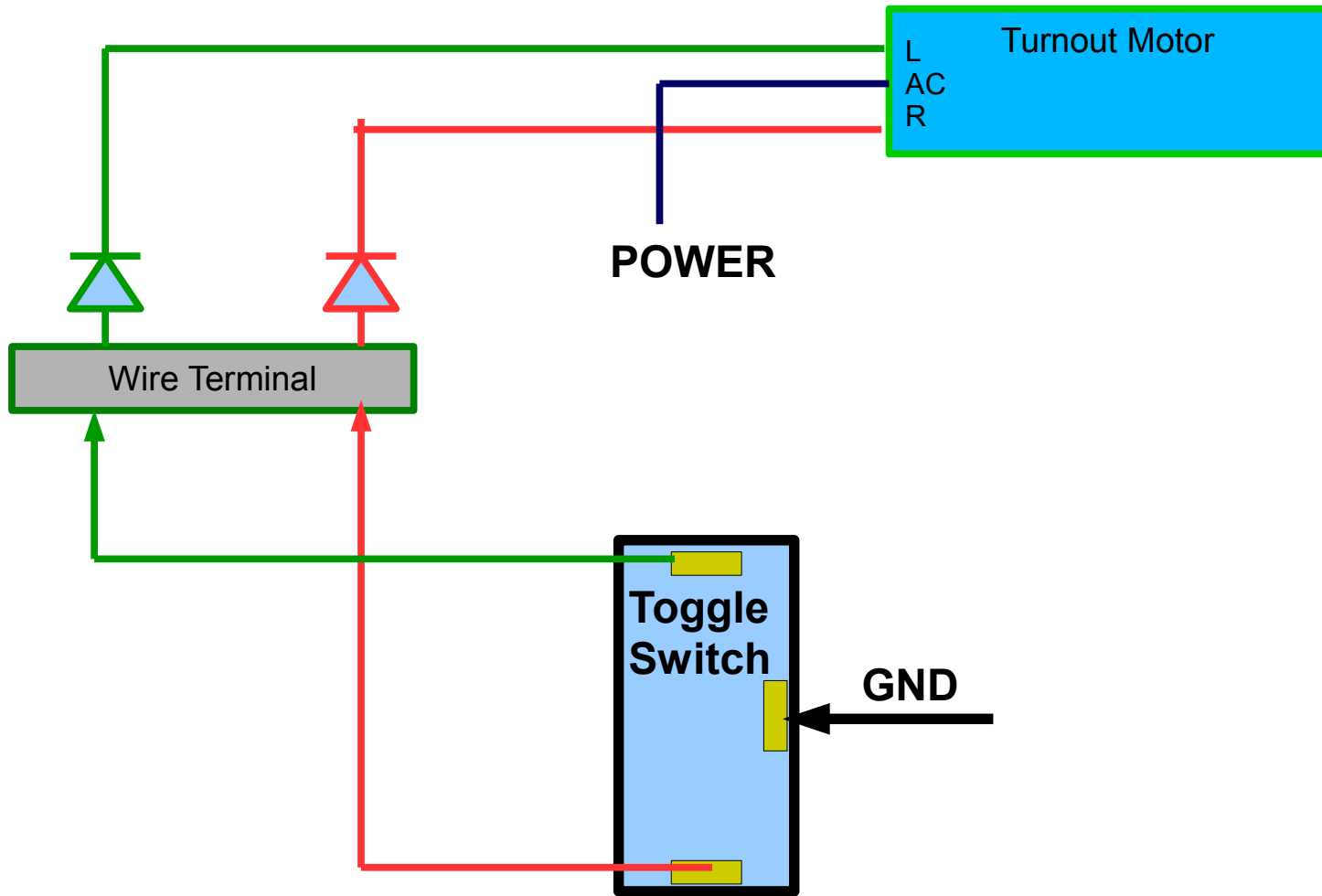
## Turnout Toggle Switches – Control Board

Atlas O is 1-15  
Ross is 16-31

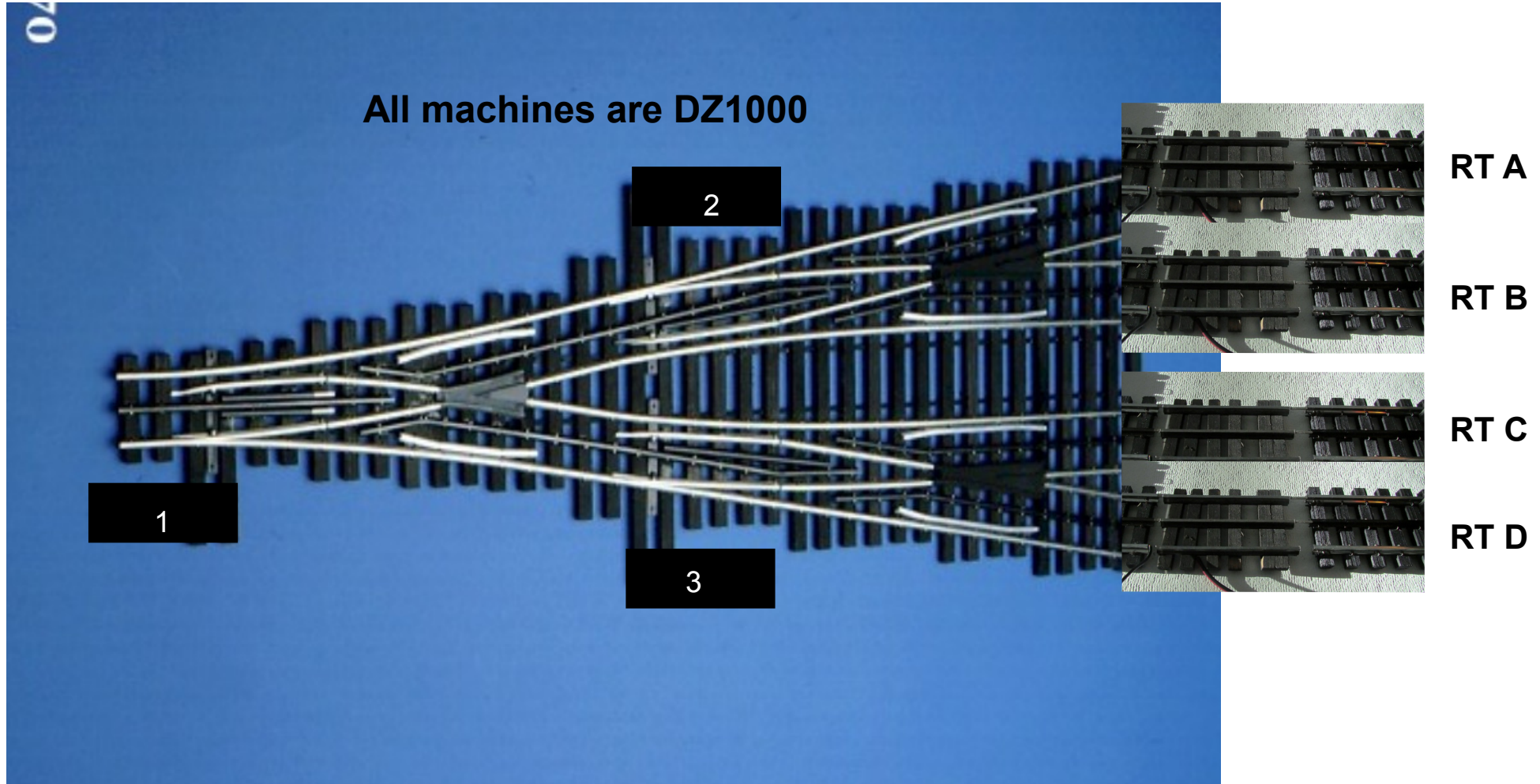
All toggle switches now have ground connected to center post.  
Atlas O and ross switch machines now have power connected to center post



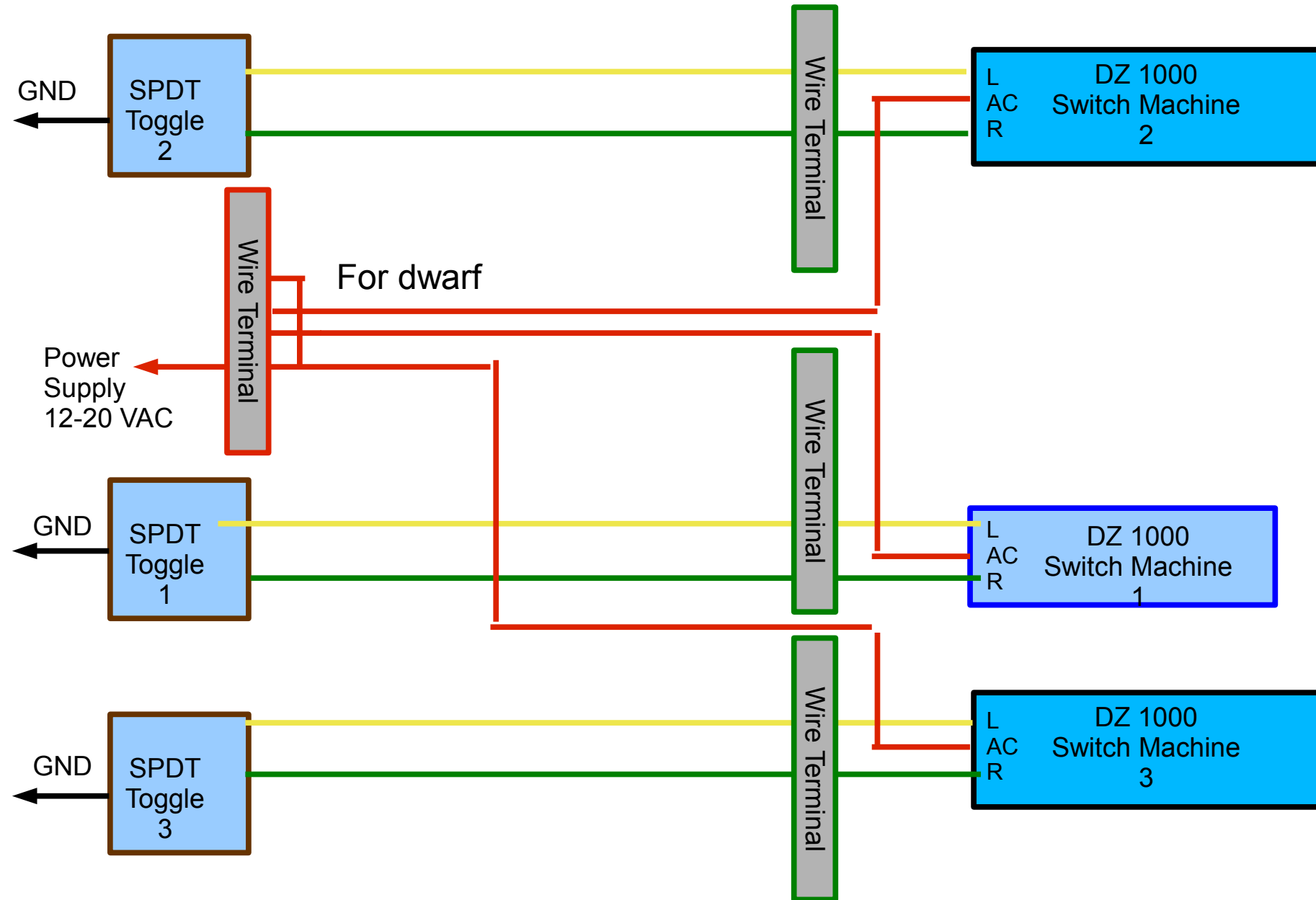
# Connecting Turnouts



# Ross 4-Way Wiring for Non-Derail



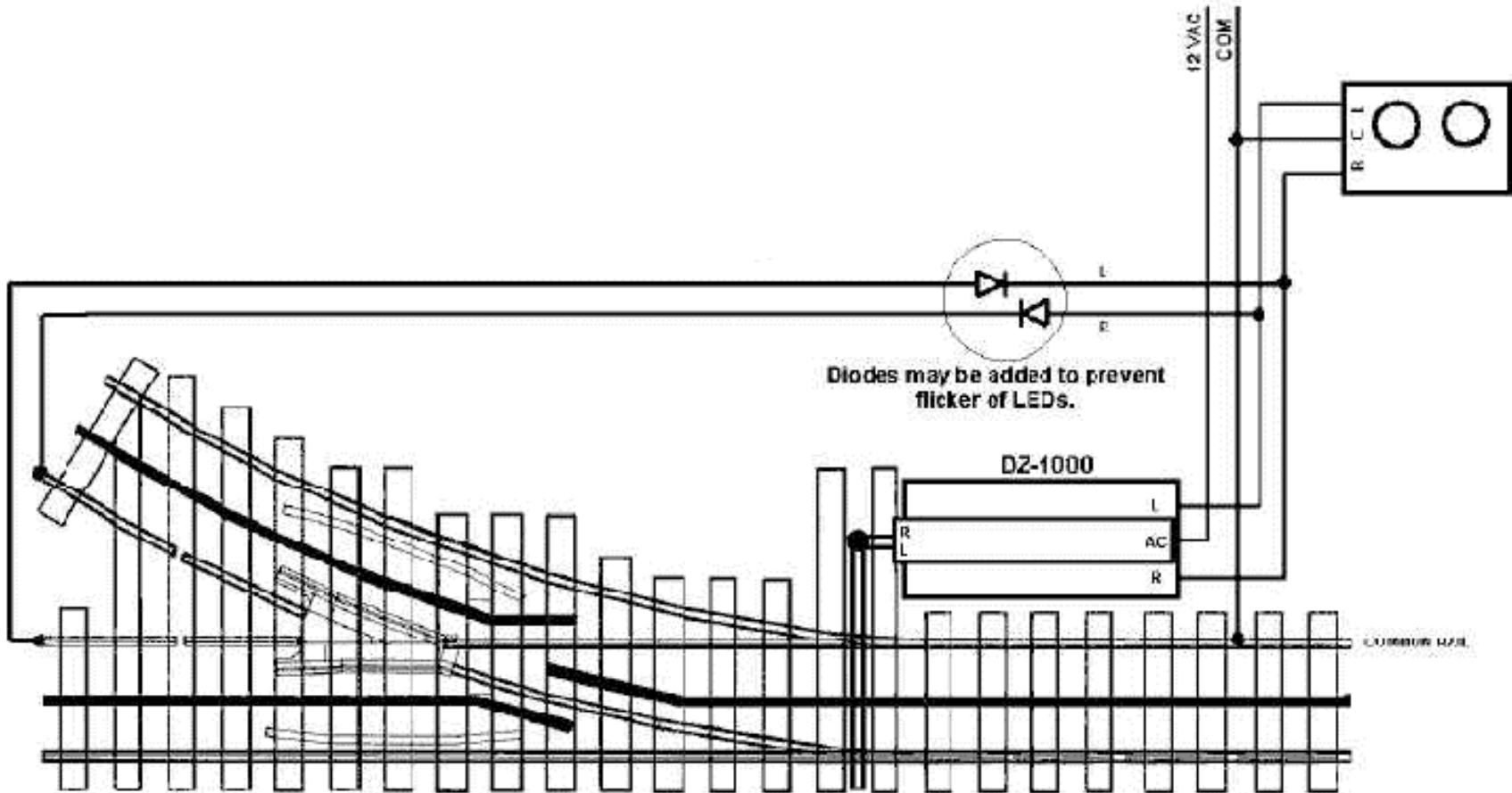
# Ross 4-Way Wiring for Power / Control



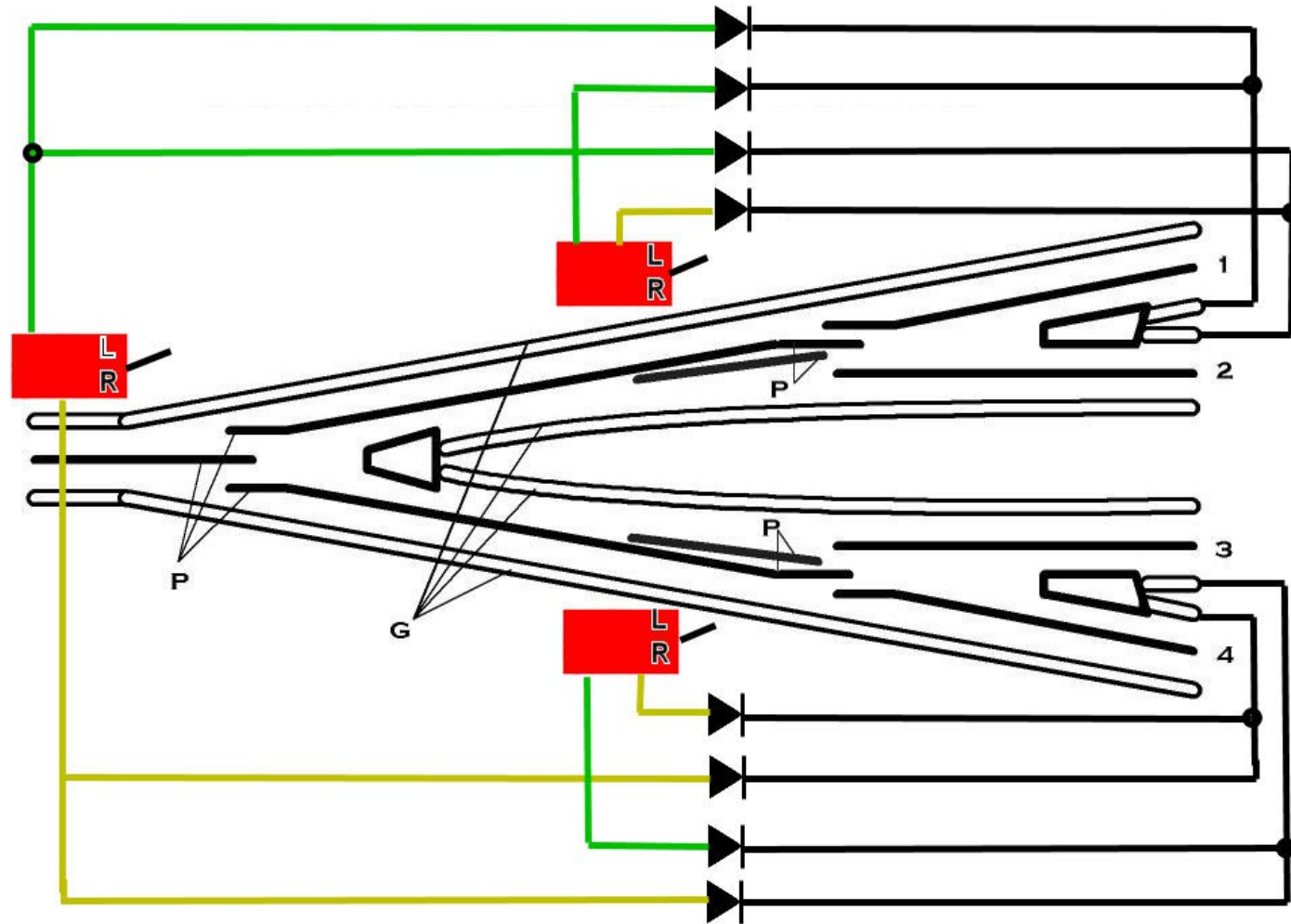
# Ross Non-Derail

## DZ-1000 Wiring For Automatic Non-Derailing Operation

By isolating a section of rail on each direction of throw of the switch, you can wire the DZ-1000 for non-derailing operation. As the train approaches the switch it connects the L or R terminal to COMMON and causes the switch to throw in the direction to prevent a derailment of the train.



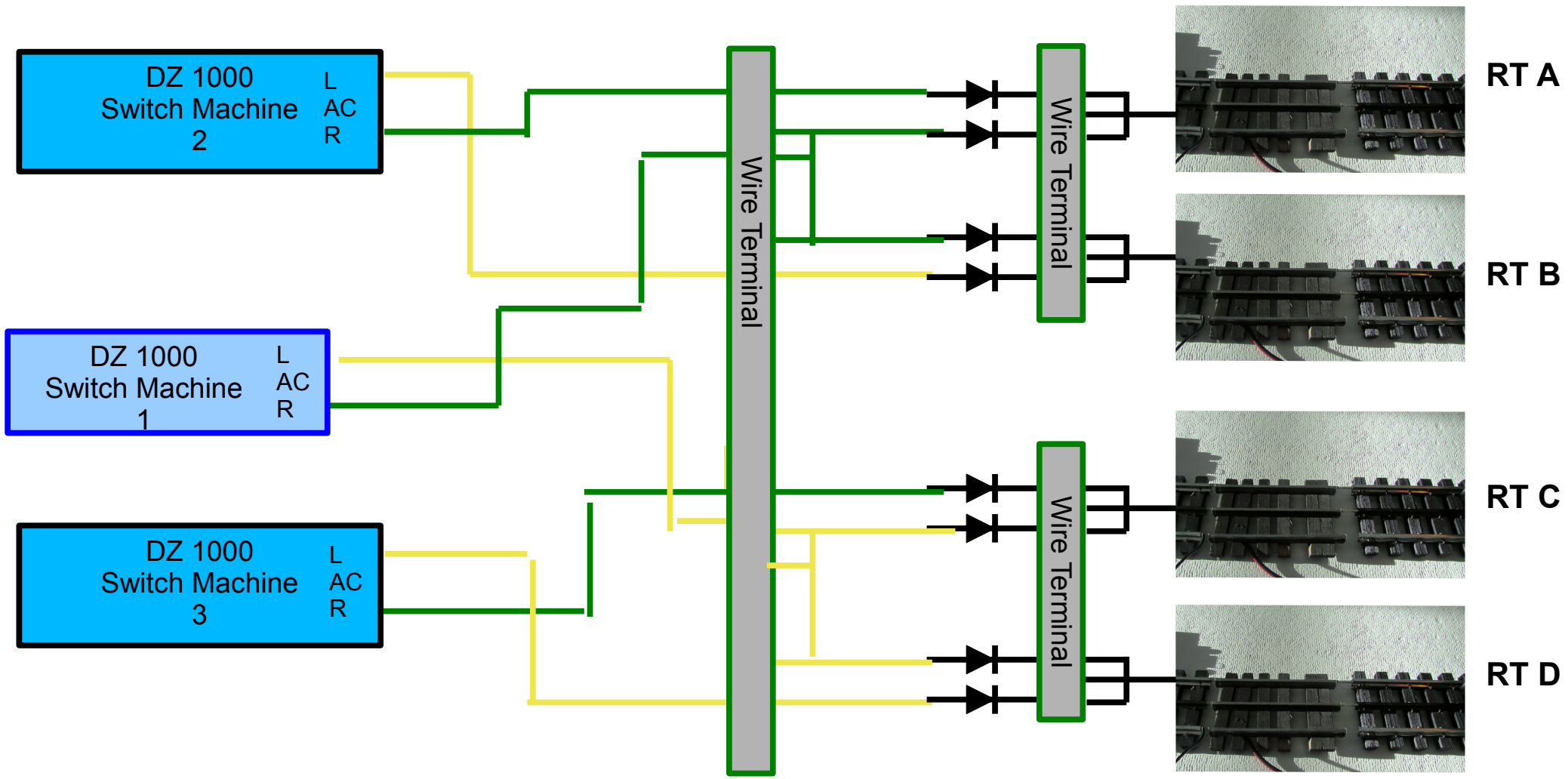
# Ross 4-Way Wiring for Non-Derail



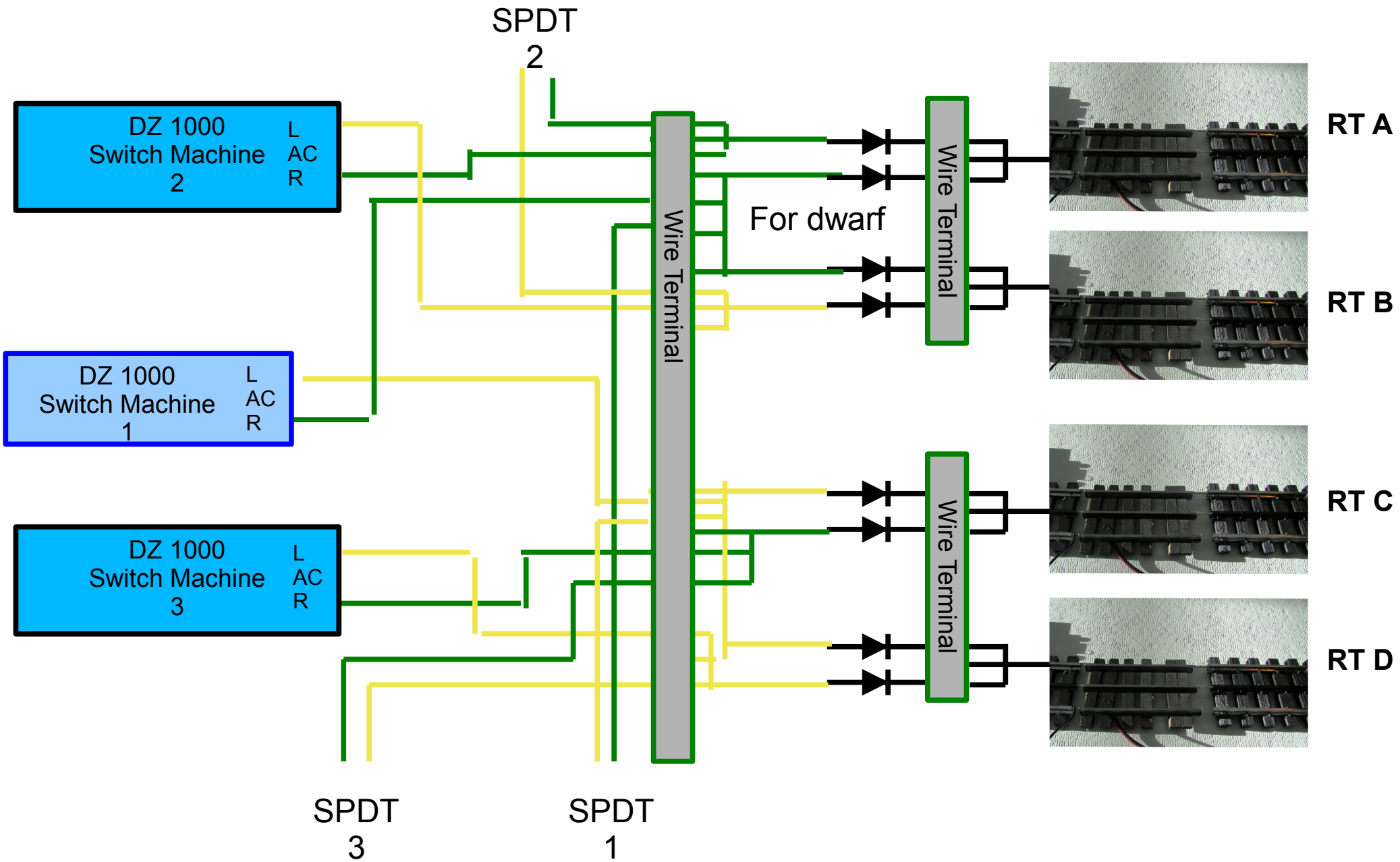
All diodes are 1N4001 (Radio Shack)

From D. Zander at Z-Stuff

# Ross 4-Way Wiring for Non-Derail



# Ross 4-Way Wiring for Non-Derail / Control





diode

