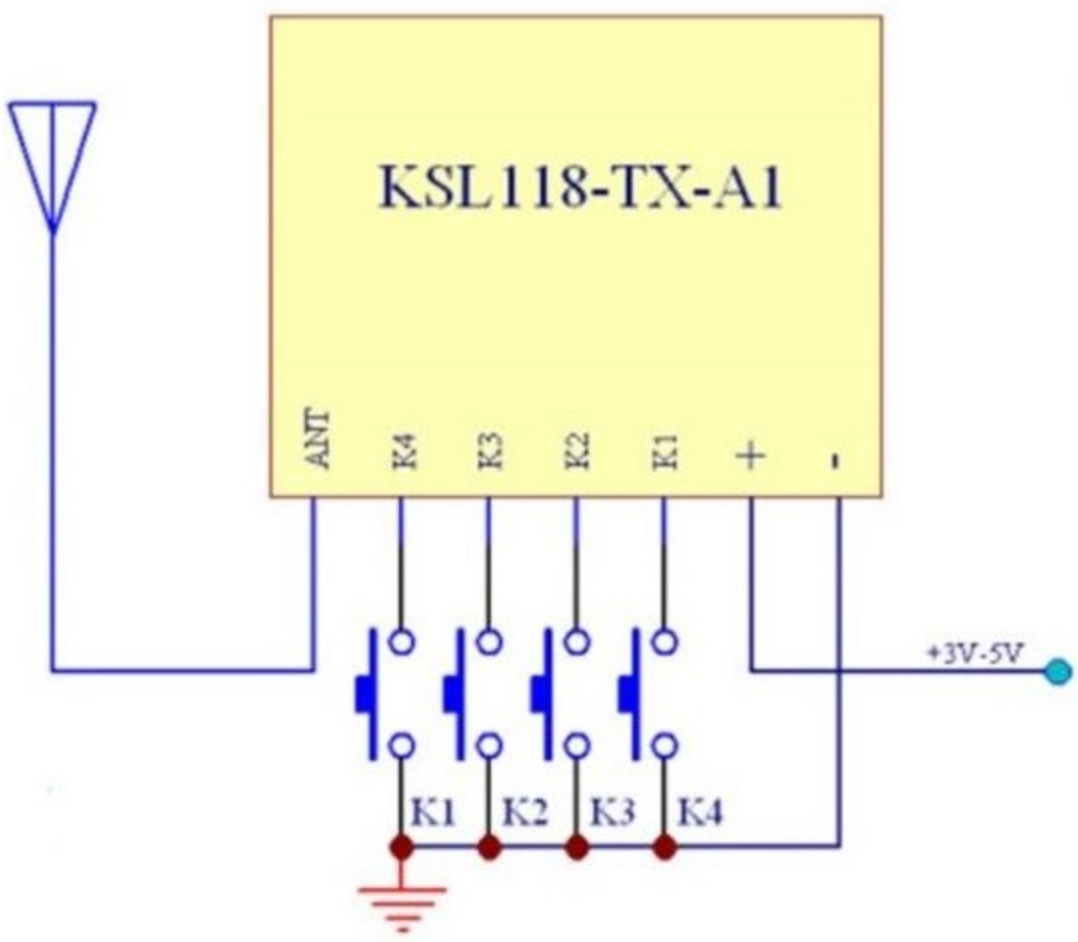
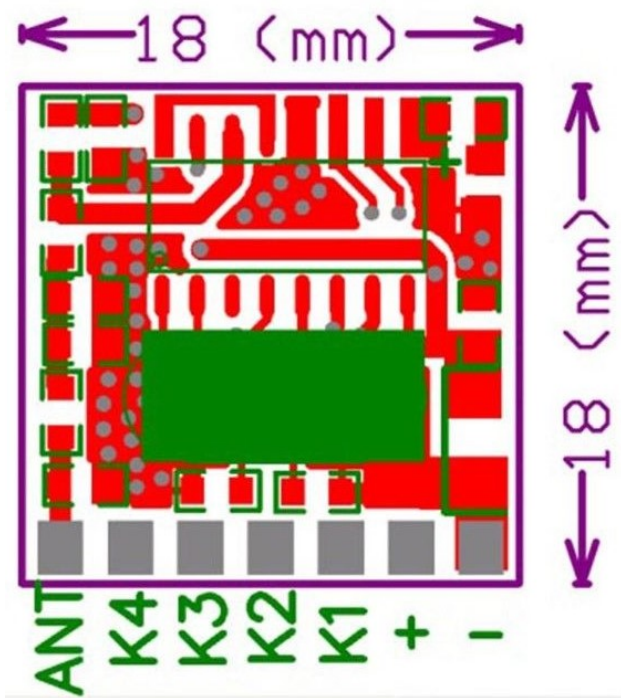
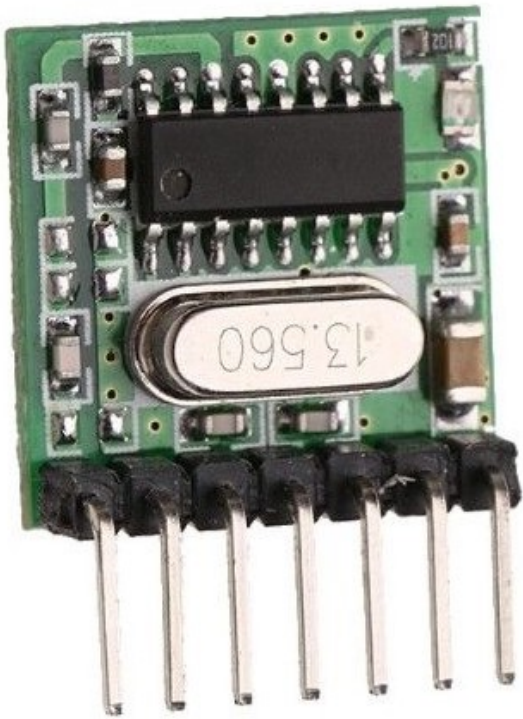


Mini Wireless 433Mhz RF Remote Control 1527 Learning Code Transmitter



- Description:

Features:

100% brand new and high quality.

Each module has a unique ID address code.

All modules K1-K4 four key code is the same.

Pin Description:

- : Negative power supply

+: Positive power supply, DC 3-24V

K1: 1 short to Negative start transmitting data, Similar the A button on the remote control.

K2: 2 short to Negative start transmitting data, Similar the B button on the remote control.

K3: 3 short to Negative start transmitting data, Similar the C button on the remote control.

K4: 4 short to Negative start transmitting data, Similar the D button on the remote control.

Application environment:

Remote control switch, motorcycles, automobile anti-theft products, home security products, electric doors, shutter doors, windows, remote control socket, remote control LED, remote audio remote control electric doors, garage door remote control, remote control retractable doors, remote volume gate, pan doors, remote control door opener, door closing device control system, remote control curtains, alarm host, alarm, remote control motorcycle remote control electric cars, remote control MP3, etc.

Specifications:

Item Type: Wireless RF Remote Control Transmitter Module (1527 Encoding)

Model: TX118SA-4

Transmitting power: 11dbm

Distance: 30-100m

Emission current: 10MA

Rate of fire: maximum 10KB / S

Transmit deviation: +/- 7.5KHZ / narrow-band emission

Modulation: ASK

Operating Voltage: DC 3V-24V

Encoding: EV1527 1527 Learning code

Material: Plastic+Metal

Color: shown as pictures

Size: 1.8×1.8cm/0.71×0.71in (Approx.)

Quantity: 1 PC (other accessories demo in the picture is not included)