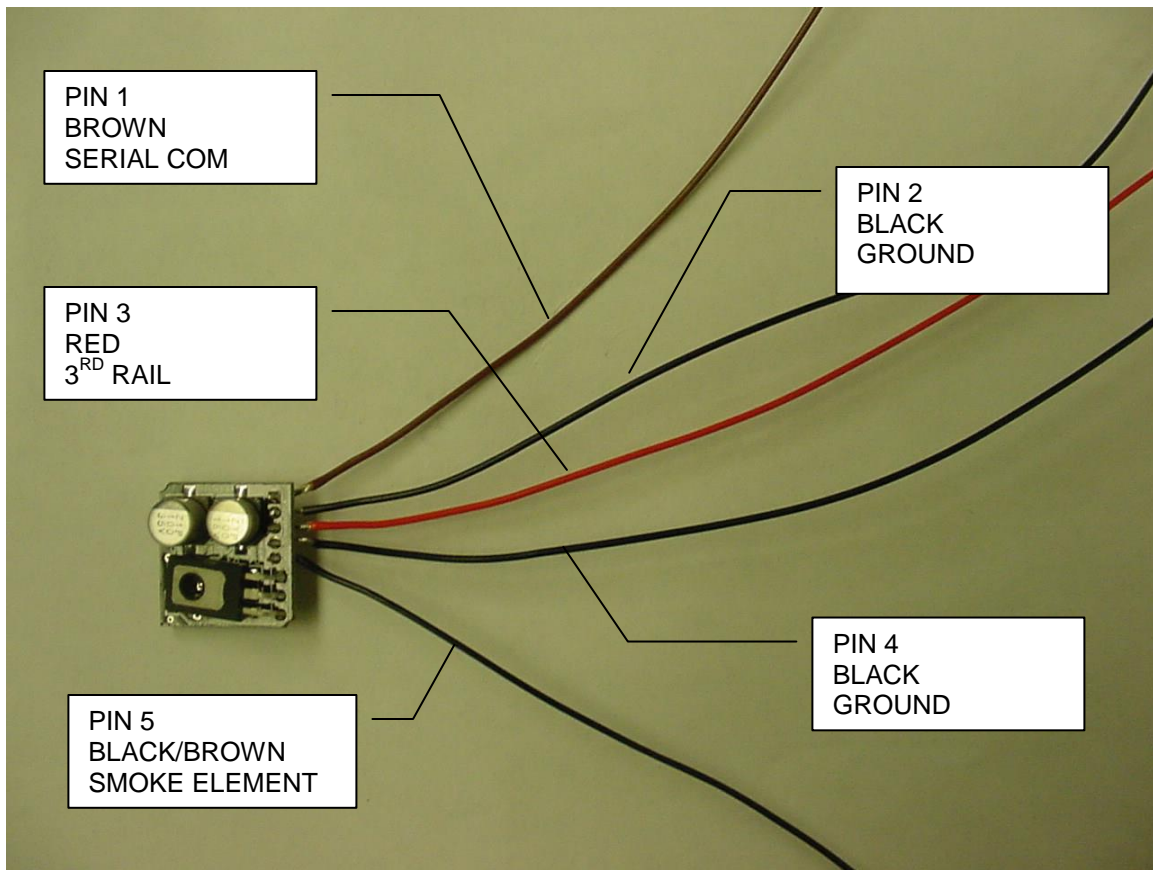


AC REGULATOR CONNECTIONS



ACRG PIN NO.	COLOR	DESCRIPTION	CONNECTION
PIN 1	BROWN	SERIAL COM	To serial comm from R4LC
PIN 2	BLACK	GROUND	To SMOKE ON/OFF switch
PIN 3	RED	3 RD RAIL POWER	To AC input from pick-up rollers
PIN 4	BLACK	GROUND	No connection
PIN 5	BLACK/BROWN	SMOKE ELEMENT	To pin 3 on smoke unit connector